

# INSTALLATION INSTRUCTIONS

## CAT 315L EXCAVATOR

MODEL SEQUENCES: 4YM 1+, 6XM 1+, 3ZM 1+, 6YM 1+

Hammond Air Conditioning Ltd.  
125 Samnah Cres.  
Ingersoll, On.  
N5C 3J7  
1-800-267-2665  
1-888-267-3745 (FAX)

## EVAPORATOR:

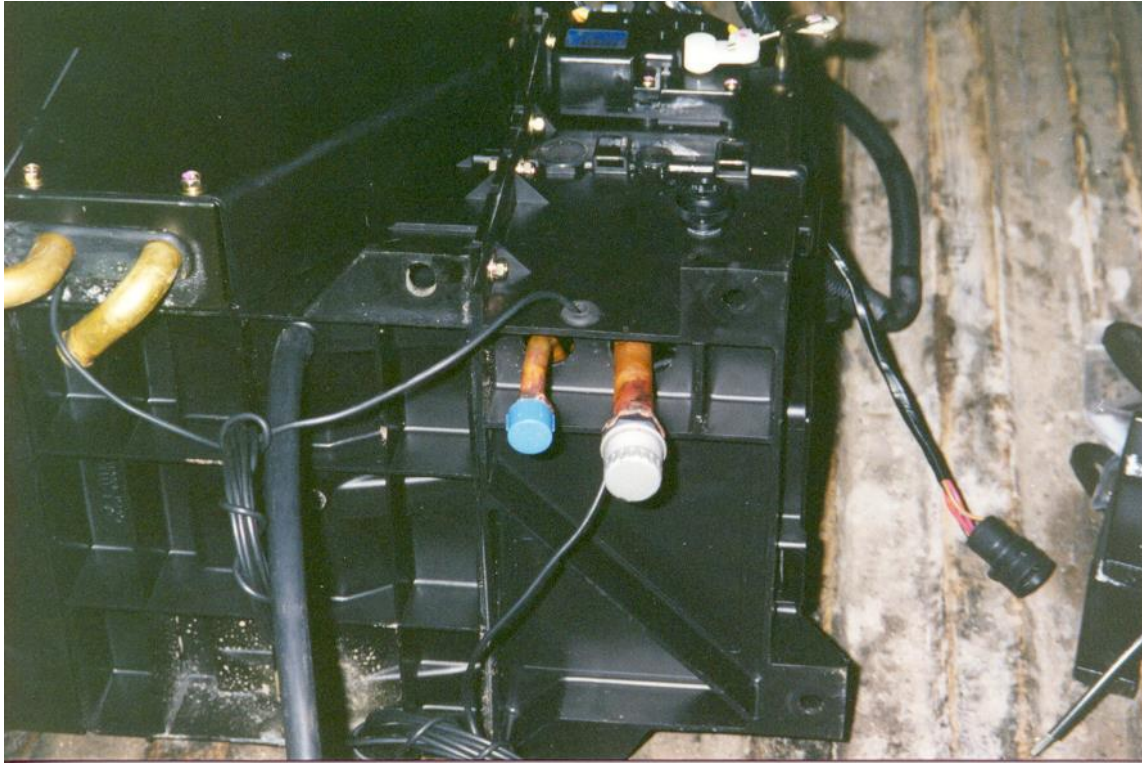
The evaporator is mounted inside the heater/blower housing found behind the seat and under the plastic moldings.



Evaporator/Heater assembly in place with thermostat inserted

Remove the plastic covers and shrouds from above the blower housing. Remove the heater blower assembly from the cab. It will be necessary too disconnect the heater lines under the cab. When the box has been removed, remove the cover panels and attached hardware to access the heater core area.

Prior to fitting the evaporator into the box alongside the heater core, remove the plugs from the two outside drain holes and ensure they can drain outside properly. Mount the evaporator into place with the copper lines extending down through the knockouts in the plastic casing. If the blower motor resistor is mounted through the side of the heater/evaporator cover, remove before installation and replace after assembly is complete.



Underside of evaporator housing assembly.

The copper lines will extend through the holes in the bottom of the box. The clutch wire can be run out through the same holes. The thermostat probe should be inserted into the coil through one of the small knockouts on the side of the box. Install drain tubes before re-installing the heater/evaporator assembly.

Re-assemble and re-install the assembly into the cab.

## COMPRESSOR:

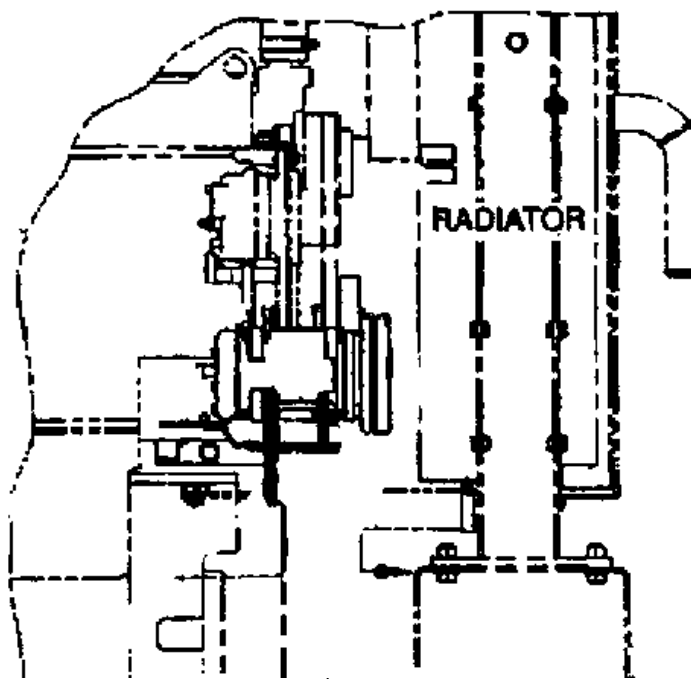
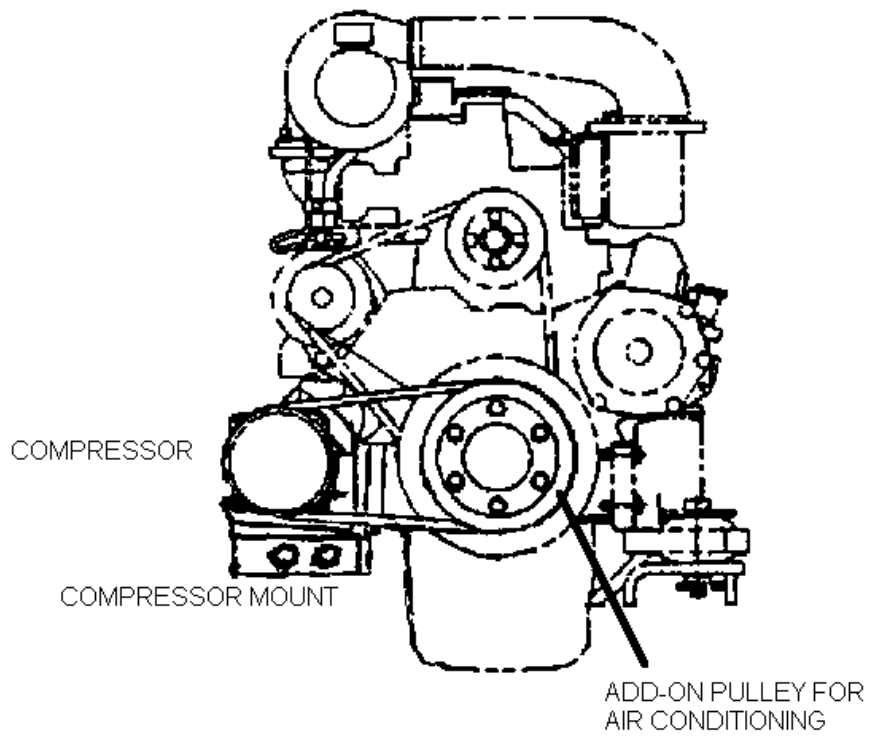
The compressor mounts to the engine on the location shown in the pictures, on the lower right when facing down the engine toward the fan.

The first step is to mount the supplied add-on pulley to the crankshaft with the hardware provided.

Mount the compressor mount onto the location shown for the factory assembly using the metric hardware provided. Do not tighten the mounting hardware down completely until checking the alignment with the compressor in place. Once the alignment is checked, tighten down the bolts and mount the compressor. Place the drive belt in place and tighten up the compressor to take up the tension.



Compressor mount and drive in place on 315 Cat





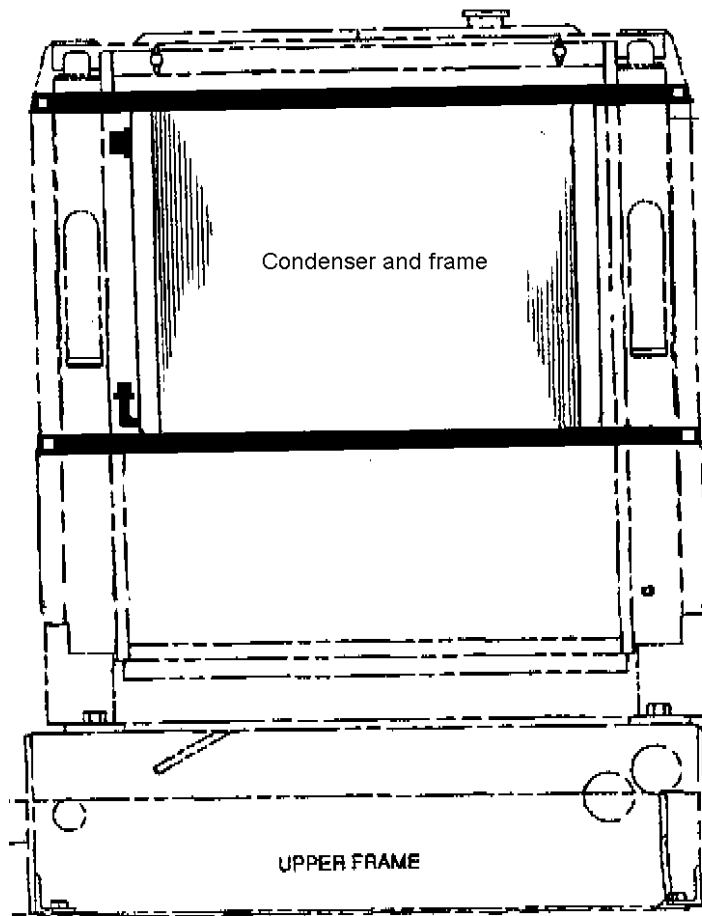
### CONDENSER MOUNTING:

The condenser is configured for mounting on the radiator as shown in the pictures. The brackets are designed to use the factory mounting brackets with the hardware provided.



Condenser in place on 315L.

The condenser mounts off the four existing bolts, 2 on either side of the radiator. Use the long spacers and long hardware to replace the existing bolts. Mount the condenser on top of the spacers. Mount the receiver drier to the side of the air cleaner mounting frame. Connect the drier inlet fitting to the bottom fitting of the condenser with the hose provided.



Condenser and frame assembly in place on radiator.

## HOSE RUNS:

### 5/16" Hose Drier to Evaporator

The 5/16" hose runs from the drier mounted on the condenser brackets through under the cab to the fitting extending down from the evaporator.

The fitting at the drier is pre-crimped onto the hose and is pressure tested for leaks. The fitting at the evaporator is to be crimped on in the field after cutting the hose to length.

### 13/32" Hose Compressor to Condenser

The 13/32" hose is run from the compressor to the condenser out of the engine compartment alongside the radiator and out to the condenser as shown in the pictures.

Hose wrap the exposed sections of the hose and use cable ties to secure the hose in place to prevent rubbing.

The fittings are already crimped in place at the compressor and have been pressure tested. Run the hose to the condenser and cut to length. Crimp the appropriate fitting on at the condenser and assemble. Hose-wrap as required and secure into place.

### 1/2" Hose Compressor to Evaporator

The 1/2" hose runs from the compressor to the evaporator through the engine compartment and under the cab to the fitting on the evaporator.

The fittings at the compressor have already been crimped in place and pressure tested. The hose is run through the engine compartment with the 13/32" hose and then to the evaporator with the 5/16" hose. Cut the hose to length and crimp on the fitting at the evaporator. Hose-wrap exposed sections and any places the hoses may rub. Secure using cable ties and clamps where necessary.

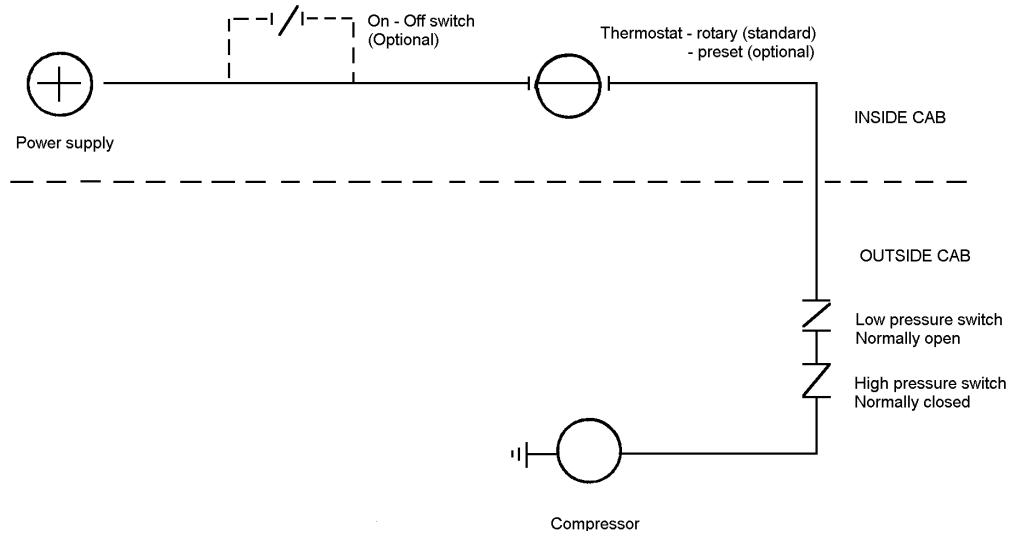




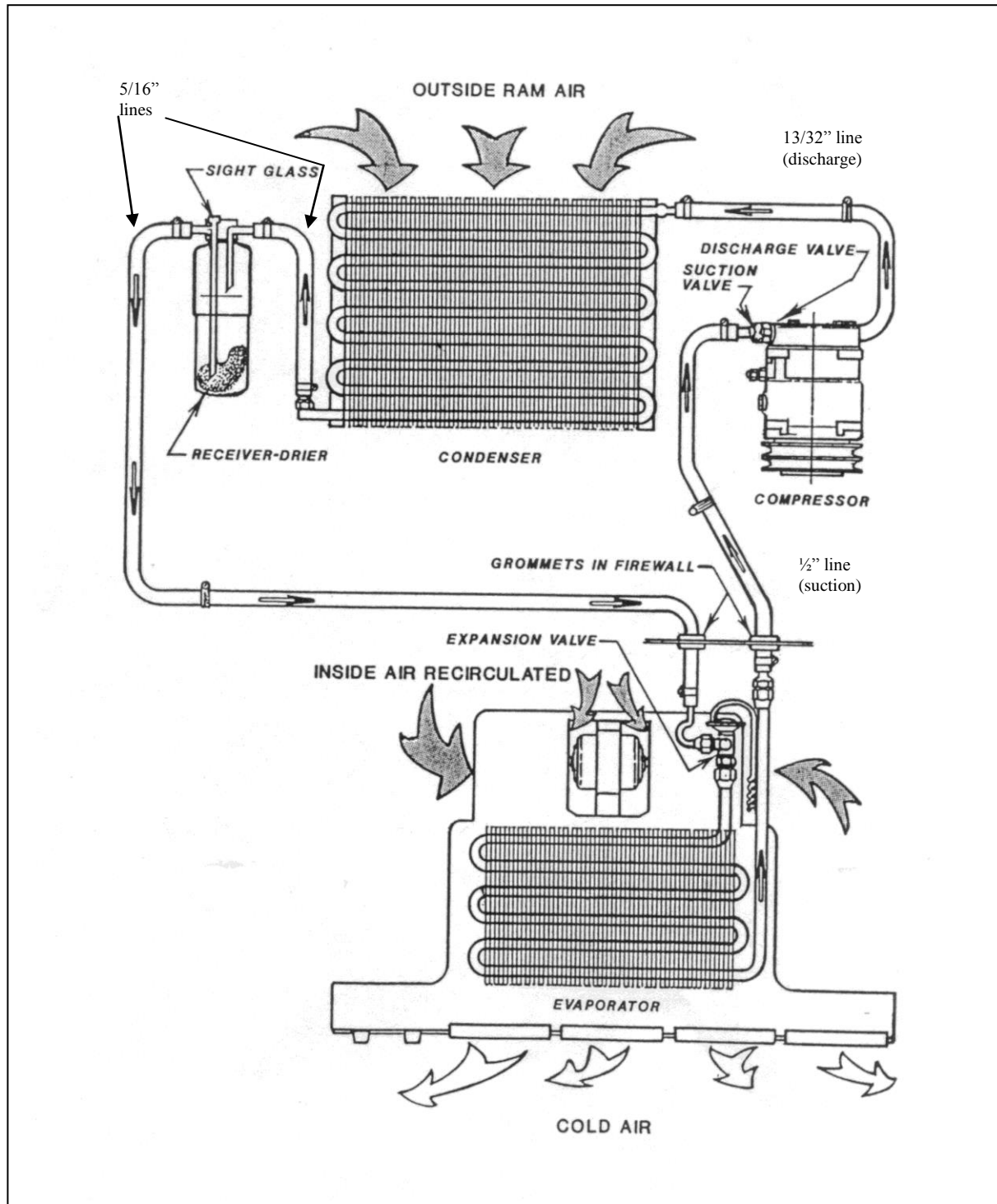
View showing underside of evaporator area with hose assemblies and drain tubes.

ELECTRICAL:

Power to control the thermostat and clutch comes off the heater power wire (#124). Hook into the wire using an instant power tap and connect to the thermostat switch. From the switch run down to the pressure switches and to the compressor. See the wiring diagram for the electrical hook ups.



## Refrigerant Flow Pattern in a Standard Air Conditioning System



## Thermostat Setting Procedures

- 1) Thermostat types
  - a) preset
  - b) adjustable

- a) A preset thermostat is adjusted to its specific cut in and cut out temperatures when manufactured and does not have a rotary adjustment for the operator.
- b) An adjustable or rotary thermostat has been manufactured to a predetermined cut in and cut out temperatures, but it is also operator adjustable to achieve the desired comfort level.

Both types of thermostats can have their factory settings adjusted by turning the setting screws on the body of the thermostat. One body type has the setting screws mounted externally and labeled for direction of rotation. The other body type requires the removal of the plastic end plate to expose the set screw.

- 2) Thermostat probe location: The location of the thermostat probe in an evaporator coil can be very important to achieve the maximum cooling potential of the coil while also preventing coil freeze-up. There is no set location for the thermostat probe to be put that will be optimum for all systems, but several rules of thumb may be followed:
  - a) Insert the probe in the coldest area of the evaporator coil.
  - b) Insert the probe from the top of the coil down, if possible.
  - c) Make sure that at least the last 3" of the thermostat probe are in the coil.

To find the most likely area where the coil is the coldest, consider these factors:

- 1) Direction of air flow through the coil.
  - 2) The coil area likely to have the lowest air flow.
  - 3) The inlet locations of the refrigerant into the coil.
  - 4) The inlet of the hotter outside air into the coil area.
- 
- 1) Usually the coldest side of the evaporator coil will be the air outlet side. Often the thermostat probe can be inserted between the last and second last row of tubes.
  - 2) The lower air flow area of the evaporator coil in most systems tends to be near either end of the coil. These areas will be colder
  - 3) The area of the coil that the refrigerant inlet tube(s) occupy should be the coldest part of the coil.
  - 4) If the system is equipped with an outside air intake, where and how that air is brought into the evaporator area can have a large effect on the coil temperature. If all the outside air is piped into the evaporator in one area, that area will be considerably warmer in hot weather.

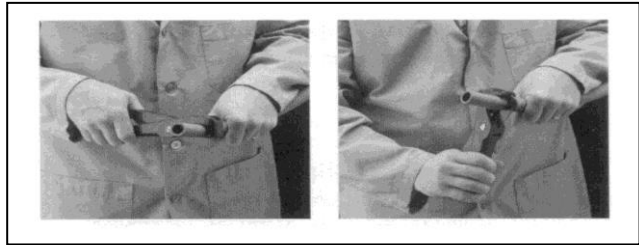
By looking at all these different factors, the area of an evaporator coil most likely to be the coldest can be determined.

Once the probe is inserted, the A/C system needs to be tested. Run the system to ensure that the thermostat is cycling the compressor off at the appropriate temperature. A core temperature ranging between 25° and 30° F should cause the thermostat to cycle off. The air temperature at the vent outlet closest to the evaporator coil should be between 38° F and 45° F when the compressor cycles off.

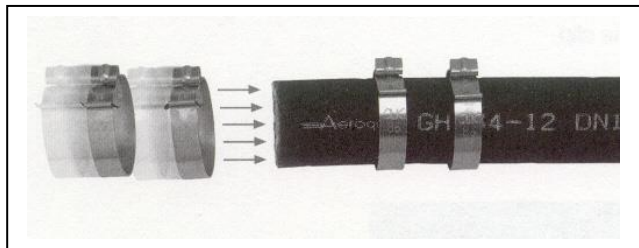
If the thermostat doesn't cycle off after a reasonable cool down period, and the air outlet temperature has dropped below 40° F, the cut in and cut out settings should be adjusted until the compressor is cycling on and off regularly. Let the system run for a decent time period (at least 15 min) and then check the evaporator coil for any signs of freezing.

## Aeroquip E-Z Clip Assembly Instructions

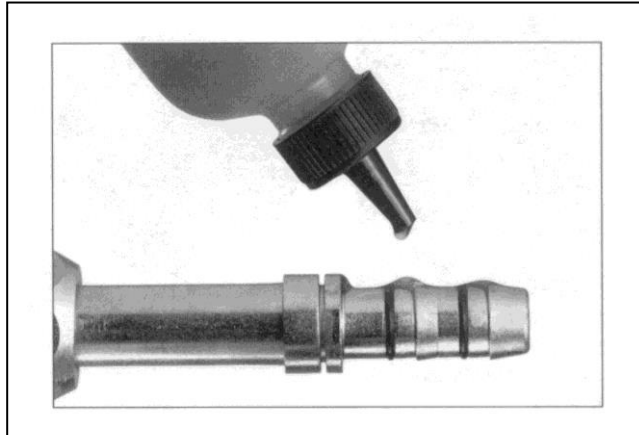
Step 1. Cut the hose to proper length with an appropriate cutting tool. Aeroquip's hand held hose cutter has been specially designed for cutting all non-wire reinforced hose, such as GH-134 Multi-Refrigerant hose. Be sure the cut is made square to the hose length.



Step 2. Install two proper-sized clips onto the cut end of the hose. Orientation of the clips does not affect the performance of the connection. However, for ease of assembly, both clips should have the same orientation. NOTE: Failure to slide the clips over the hose at this time will require the clips to be stretched over the hose or fitting later. This may permanently damage the clip.



Step 3. Lubricate the nipple with a generous amount of the refrigeration or A/C system's compressor lubricating oil. This MUST be done to lower the force of nipple insertion.



Step 4. Insert the nipple into the hose. To ensure that the nipple is fully inserted, check the gap between the cut end of the hose and the shoulder on the nipple. Care should be taken to avoid kinking or other damage to the hose during nipple insertion. NOTE: Be sure to wipe excess oil from the nipple and hose.



Step 5. Snap the cage into the groove on the nipple. The arms should extend over the hose length. When the cage has been correctly

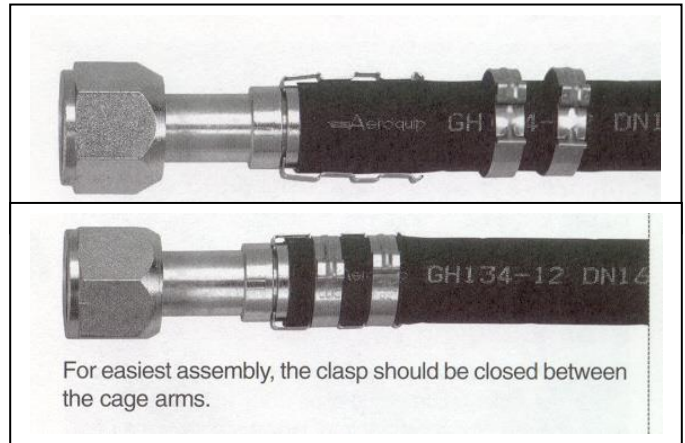




installed in the cage groove, the cage will be able to rotate in the groove. This step **MUST** be performed to ensure:

1. The clips will be located over the O-rings on the nipple.
2. The connection will be compatible with the connection's pressure rating.

Step 6. Slide the clips over the cage arms and into the channels on each arm.



Step 7. Use the pliers to close the clips. The pliers should be positioned squarely on the clip connection points and should remain square during the closing of the clip.

**NOTICE:** E-Z Clip components should not be reused.

